



Ersatzteilliste Frank Cobra C

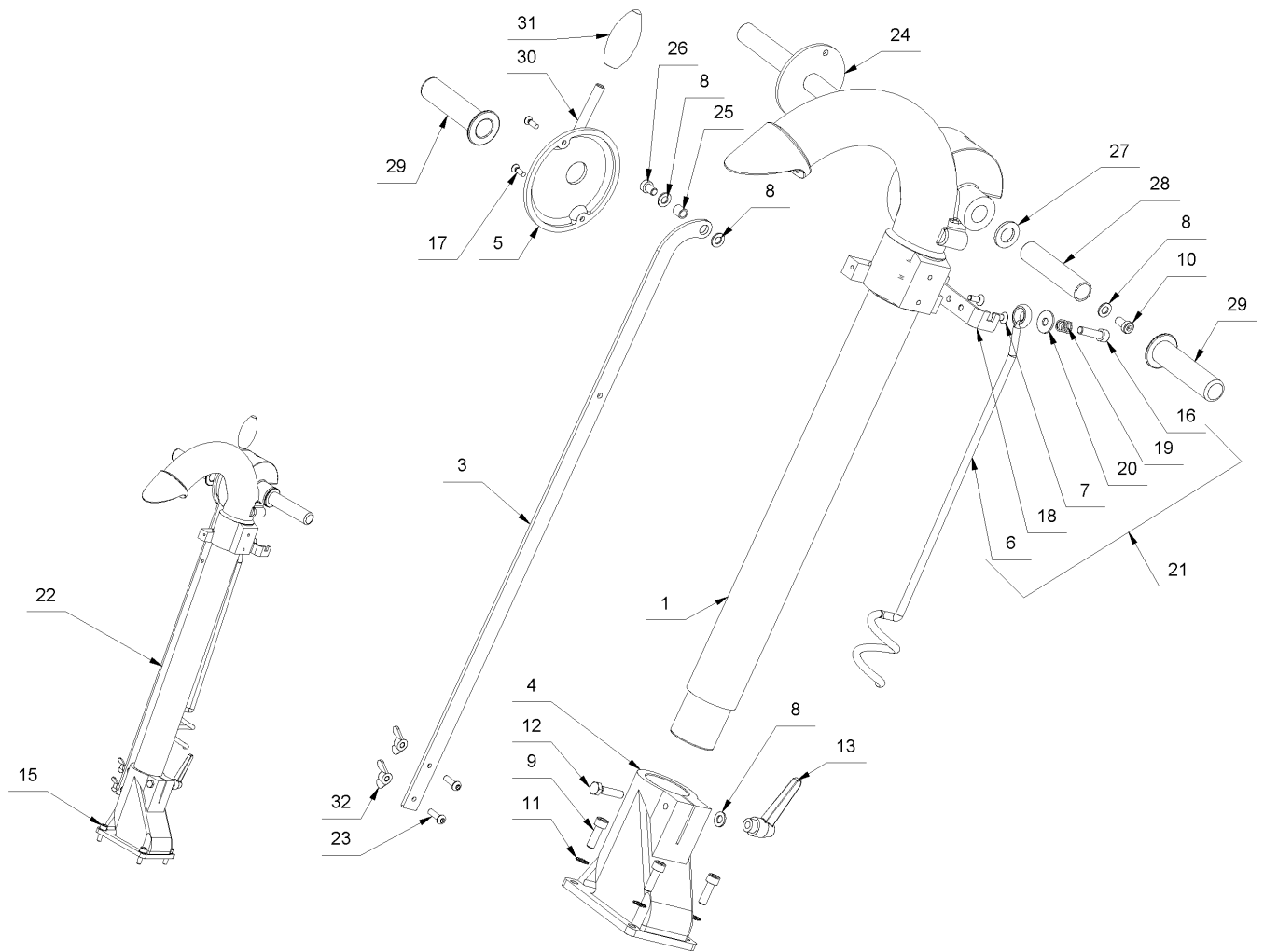


Inhaltsverzeichnis

9 Lenkung 576

3

9 Lenkung 576



9 Lenkung 576

Item no.	Article no.	Description	Quantity
1	048612	Steering normal 575	1
3	016627	Control rod 575 Cobra	1
4	016319	Dust pipe support Cobra	1
5	016388	Housing cover normal	1
6	014548	Cable arm long Viper	1
7	014756	Countersunk screw M6x16 DIN 7991 10.9	2
8	014828	Washer M8 DIN 125 A	4
9	014735	Cylinder head screw M8x25 DIN 912	4
10	014733	Cylinder head screw M8x16 DIN 6912	1
11	016321	Spring washer A 8,4 DIN 6798	4
12	018158	hexagon head screw M 8x 35 DIN 933	1
13	014877	Clamping lever M8 Duro	1
15	048698	Guide base cpl.	1
16	014736	Cylinder head screw M8x30 DIN 912	1
17	080377	Countersunk screw M5x16 (Torx)	2
18	016521	Cable support Cobra/Viper/Python	1
19	043827	Pressure spring 13x20x1,5	1
20	018737	Washer 8,4x24x2 DIN 9021 galv.	1
21	048582	Cable support cpl.	1
22	048623	Steering cpl.575	1
23	018706	Lens head screw M6x20	2
24	016279	Handgrip right Viper	1
25	016437	Distance bushing Cobra	1
26	016397	Cylinder head screw M8x12 DIN 6912	1
27	014831	Washer 16mm DIN 125	1
28	016280	Hand grip left Viper	1
29	016403	PVC handle Cobra	2
30	016404	Lever pin Cobra / Viper	1
31	016180	Ball handle Cobra/Python/Viper	1
32	047796	Wing nut M6 plastic	2